



WIRELESS HA RECEIVER SPECIFICATIONS:

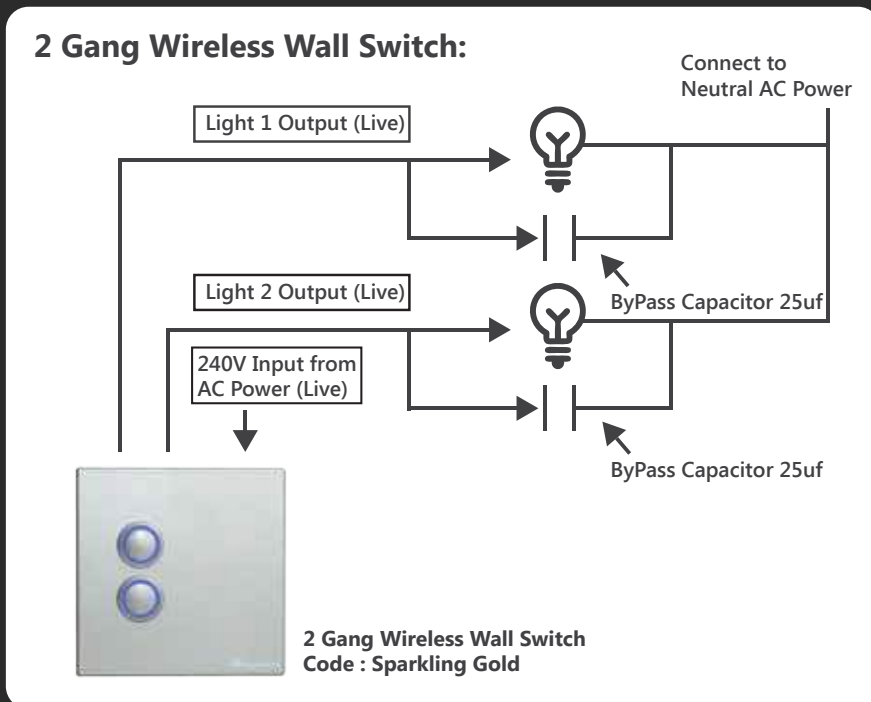
Technical Specification

Product	Wireless HA Receiver
Operating Voltage	12 Vdc
Operating Current	30 mA
Connection to Mainboard	4 wires
Carrier Frequency	434MHz
Transmission Range	100m (Open Space)
Maximum Controllable Wall Switch	16 Wall Switches (32 Lights)
PCB Dimensions	102mm x 63mm
Weight	200g

WIRELESS WALL SWITCH SPECIFICATIONS:

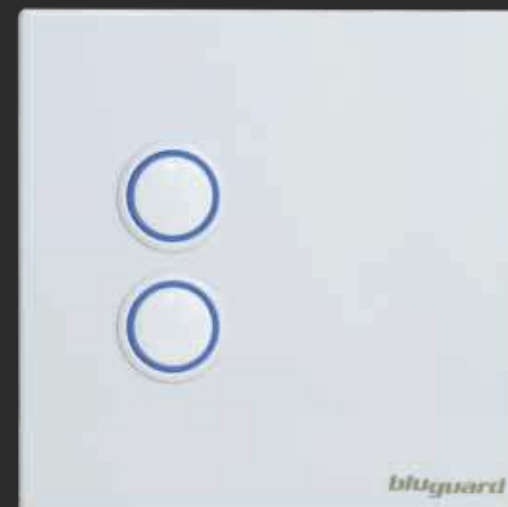
Technical Specification

Product	2-Gang Switch	
Maximum Load	1 x 600W	2 x 300W
Bypass Capacitor	25.0uF ± 10% 240/250Vac 50/60Hz	
Operating Temperature Range	0°C to +45°C	
Operating Humidity Range	5% to 85%	
Operating Voltage	220V-240 Vac	
Operating Frequency	50Hz ± 1Hz	
Carrier Frequency	434MHz	
Transmission Range	100m (Open Space)	
Dimensions	86mm x 86mm x 42mm	
Weight	300g	



Authorised Dealer

WIRELESS HOME AUTOMATION WALL SWITCH HA08



Code : Pearl White



Code : Glossy Black



Code : Sparkling Gold





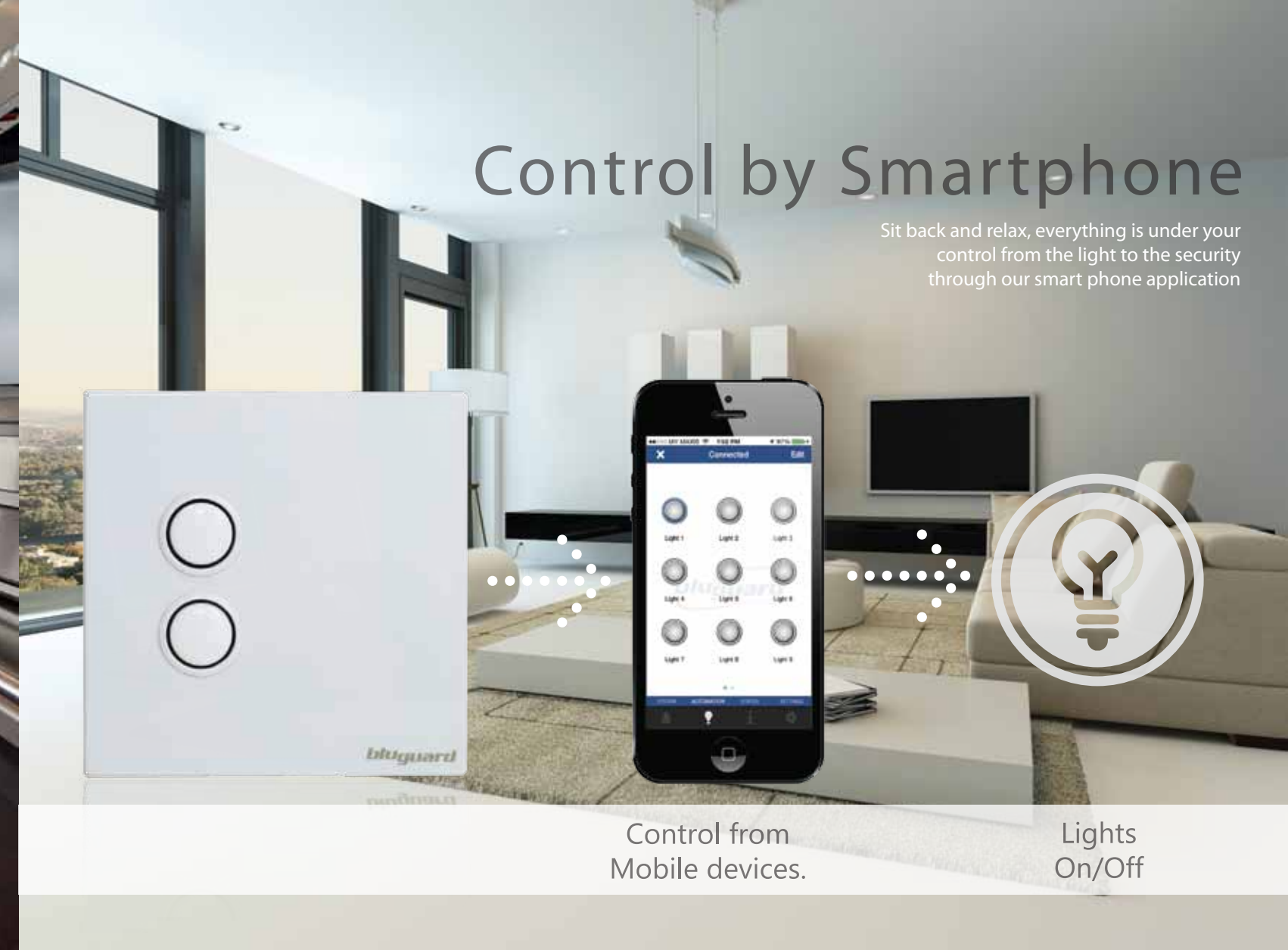
SAFE

A style that match with the comfort of your room and the elegant design. With the light blue indicator, you will easily access to the switch.



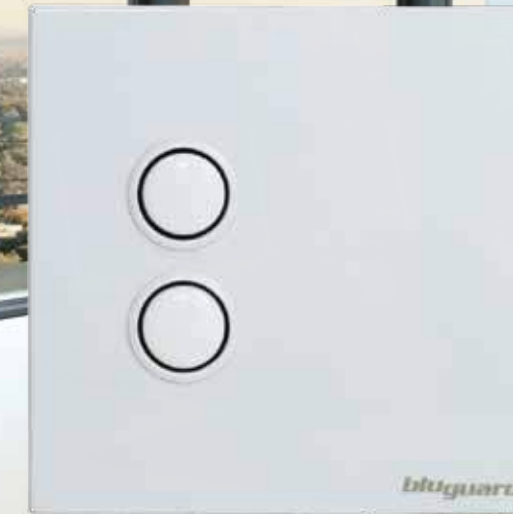
INSPIRED

Inspiring technology to connect the elegant wireless for hassle free installation process.



Control by Smartphone

Sit back and relax, everything is under your control from the light to the security through our smart phone application



Control from Mobile devices.

Lights On/Off