

XimTouch

CONTROLLER

User Manual

Table of Contents

Chapter 1	General Description	2
1.1	Proprietary Notice	2
1.2	Introduction	2
1.3	Hardware Specifications	2
1.4	Functional Specifications	2
1.5	Operation Characteristics	3
1.6	Physical Characteristics	3
Chapter 2	Installation Procedures	4
2.1	XimTouch Controller Wiring Diagram	5
2.2	Colour Code and Wiring Table	6
2.3	Cabling Information	6
Chapter 3	Getting Started	7
3.1	Cold Start Operation	7
3.2	Normal Operation	7
3.3	Card Flash Operation	7
3.4	Door PIN Operation	7
3.5	Duress Alarm Operation	7
3.6	Setting Menu Operation	7
Chapter 4	Setting Main Menu	8
4.1	System Parameter	9
4.2	Door Database	10
4.3	Card Database	12
4.4	Time Database	13
4.5	System Info	14
4.6	Exit Main Menu	14

Chapter 1: General Description

1.1: Proprietary Notice

Copyright © 2010 Archtron Research & Development Sdn Bhd. All rights reserved.

The hardware and software described in this manual are proprietary products developed, owned and distributed by Archtron Research & Development Sdn Bhd (“Archtron”). The software is furnished to the user only under a license and may not be copied or reproduced in accordance with the terms of the license and copyright laws.

Archtron reserves the right to make any changes without prior notice in the products contained in this manual in order to improve design or performance. Archtron assumes no responsibility for stenographic and/or clerical errors or the suitability or unsuitability of Archtron products used in combination with any electrical, electronic or mechanical system or subsystem.

1.2: Introduction

Thank you for purchasing **XimTouch Controller**, which is a card access system to control a single door. It may be used to restrict access to a room or any other sensitive area. The XimTouch Controller accepts door PIN from LCD keypad or proximity card reader technology.

Besides, it can be connected locally or remotely to a computer, in order to communicate with **XimTouch Access Control System**. The access control system is a powerful and user-friendly Windows-based application software that can support up to 64 door controllers. The application software also provides time and attendance management solution.

1.3: Hardware Specifications

- 2 input points (Door sensor & exit push button)
- 1 output point (Door latch control)
- Hardware real time clock for time keeping
- Onboard buzzer for audible sounds
- Resettable fuse & TVS protection for power input and communication line
- Proximity reader interface
- PC host connection via RS485 communication
- LCD keypad reader
- LED indication for power
- 128K Bytes Non-volatile EEPROM memory
- MCU built-in watchdog timer

1.4: Functional Specifications

- Door access mode:
 - ✓ Standalone single door access application
 - ✓ PC linked single door access application
 - ✓ Onboard LCD keypad reader, proximity reader and exit push button
 - ✓ Onboard LCD keypad reader and exit push button
- Capacities:
 - ✓ 2000 card users with 4-digit PIN number storage
 - ✓ 4000 transaction events with timestamp, event code, address and card number
- Operation mode:
 - ✓ Master PIN for setting menu entry (6-digit PIN number)

- ✓ Door PIN only with 10 sets (6-digit PIN number)
- ✓ Card only with 2000 card users entry
- ✓ Card + PIN with 4-digit PIN number for each card user
- ✓ Security ON by LCD keypad or via PC command (Permanent Door Locked)
- ✓ Security OFF by LCD keypad or via PC command (Permanent Lock Release)
- Access verification:
 - ✓ Site code checking
 - ✓ Expiry date checking
 - ✓ Active flag checking
 - ✓ Card user record validation
 - ✓ Anti-passback verification
- Programming methods:
 - ✓ Local programming via LCD keypad interface
 - ✓ PC software programming via RS485 interface
- Controller databases:
 - ✓ 3 sets 4-digit Site Code definitions
 - ✓ 24 sets of Time Set settings with 3 time intervals
 - ✓ 24 sets of Time Zone settings with 7 days + holiday Time Set definition
 - ✓ 60 sets of holiday settings
 - ✓ 99 seconds setting for lock release time and door open time
- Reader connection:
 - ✓ Support EM proximity reader connection via 26-bit Wiegand format interface
- Anti-passback function:
 - ✓ Local anti-passback mode with Time Zone control

1.5: Operational Characteristics

- Operating voltage/current (Controller): 12Vdc/65-130mA
- Operating voltage/current (Proximity reader): 12Vdc/60-70mA
- Operating temperature: 0 to 65°C
- Backup battery: Rechargeable battery 12Vdc, 7AH

1.6: Physical Characteristics

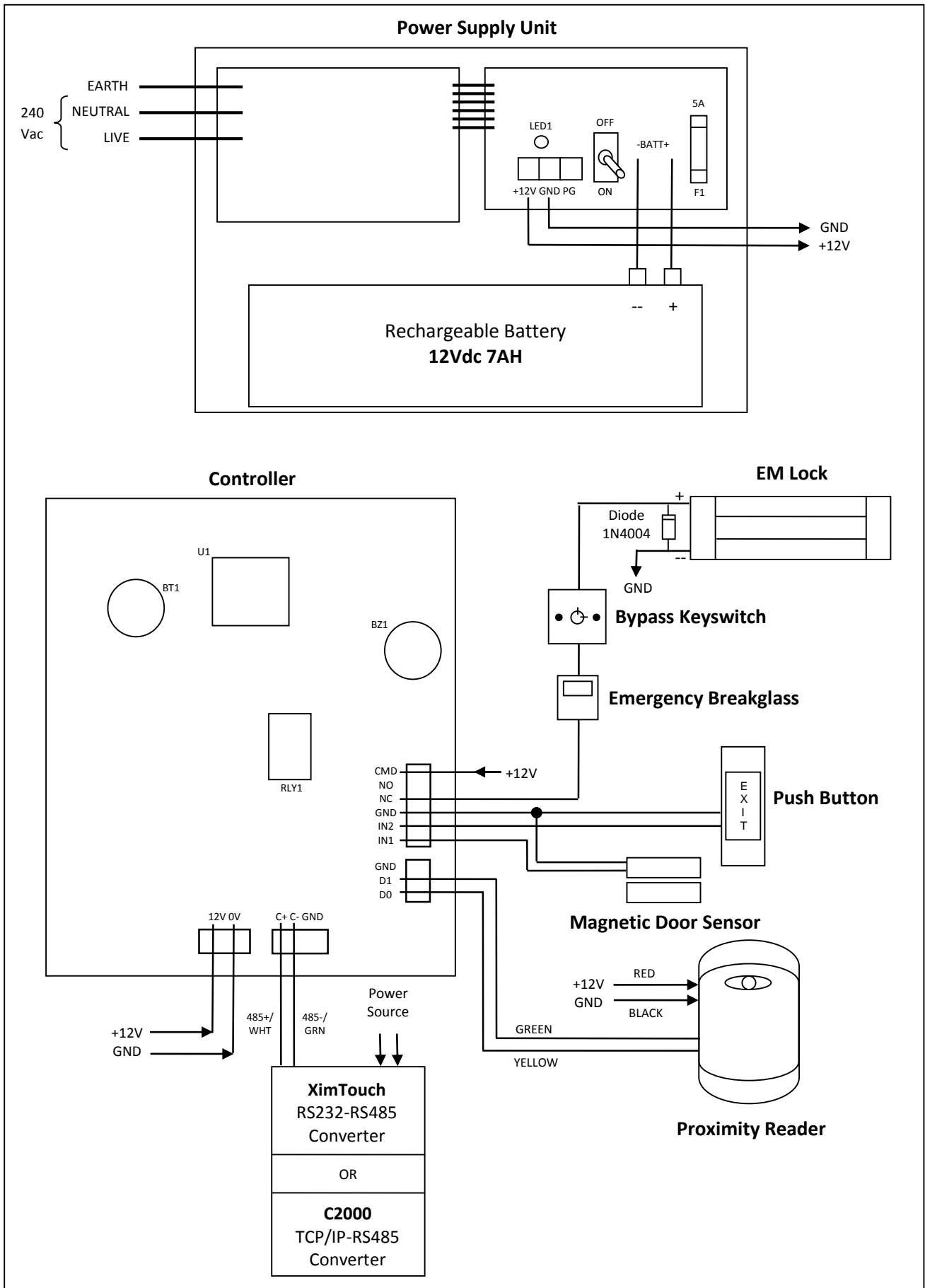
- Dimensions:
 - ✓ Controller (90mm x 125mm x 25mm)
 - ✓ Proximity Reader (42mm x 85mm x 10mm)
 - ✓ Power supply (250mm x 230mm x 75mm)
- Weight:
 - ✓ Controller (190g)
 - ✓ Proximity Reader (45g)
 - ✓ Power supply (1.7kg)

Chapter 2: Installation Procedures

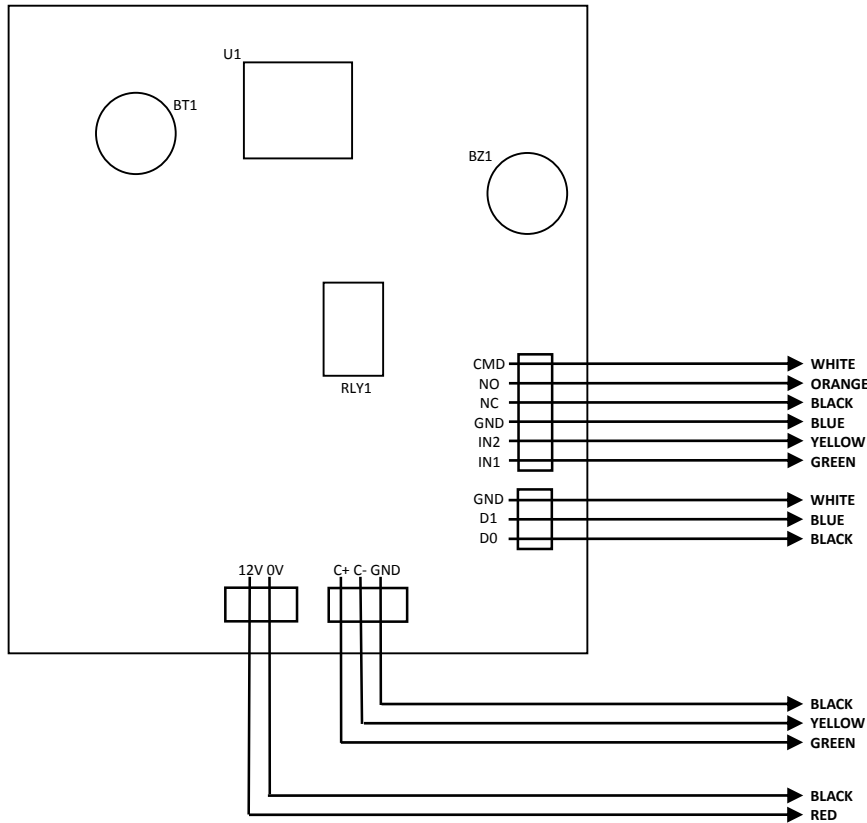
Beginning the installation process:

1. Mount power supply unit on the wall.
2. Make sure the +12Vdc output switch is turned OFF.
3. Install power cord with all 3 wires connected as below:
 - EARTH: Green-Yellow
 - NEUTRAL: Blue
 - LIVE: Brown
4. Mount controller and proximity reader near to the door.
5. Mount EM lock on the door frame. Make sure to connect a diode across the coil for noise and spike suppression.
6. Install bypass keyswitch and emergency glassbreak for the EM lock.
7. Install magnetic door sensor and push button.
8. Connect controller to computer with a converter.
9. Connect all wires accordingly as shown in **XimTouch Controller Wiring Diagram**.
10. Apply power to the power supply unit. Turn ON +12Vdc output switch. The red LED of power supply unit will turn ON.

2.1: JimTouch Controller Wiring Diagram



2.2: Colour Code and Wiring Table



PCB Label	Description	Wire Colour Code
12V	+12Vdc Supply Unit	RED
0V	Ground	BLACK
C+	485+ Communication Line	GREEN
C-	485- Communication Line	YELLOW
GND	Ground	BLACK
D0	Data 0 Reader Input	BLACK
D1	Data 1 Reader Input	BLUE
GND	Ground	WHITE
IN1	Door Sensor Input	GREEN
IN2	Push Button Input	YELLOW
GND	Ground	BLUE
NC	Normally Close Relay Connection	BLACK
NO	Normally Open Relay Connection	ORANGE
CMD	Relay Common Input	WHITE

2.3: Cabling Information

Wiring From	Communication	Max Distance	Description
Controller to push button	-	600m	4 conductor, 22 AWG
Controller to lock	-	150m	1 pair, 18 AWG, solid
Controller to reader	Wiegand	50m	6 conductor, 18 AWG, stranded, shielded, drain conductor
Controller to PC converter	RS485	1.2km	2 twisted pairs, 24 AWG, shielded
PC converter to computer	RS232	10m	3 pairs, 22 AWG, stranded, shielded, comm cable

Chapter 3: Getting Started

3.1: Cold Start Operation

It is advice to perform a cold start after wiring is done, in order to clear all user databases and reset to default factory settings.

Steps:

1. Turn off power supplied to the door access controller.
2. Press and hold [*] + [#] while turning on the power.
3. Release the buttons until LCD shows cold start message.

Sys Initialize..
Wait For Reset..

3.2: Normal Operation

During normal operation, the LCD always shows the current date and time.

31/08 Mon 12:34
System Ready ...

3.3: Card Flash Operation

For valid card flash:

31/08 Mon 12:34
Valid Access

For invalid card flash:

31/08 Mon 12:34
Unknown Card No.

3.4: Door PIN Operation

Enter 6-digit Door PIN in order to open the door:

31/08 Mon 12:34
PIN=[000000]

3.5: Duress Alarm Operation

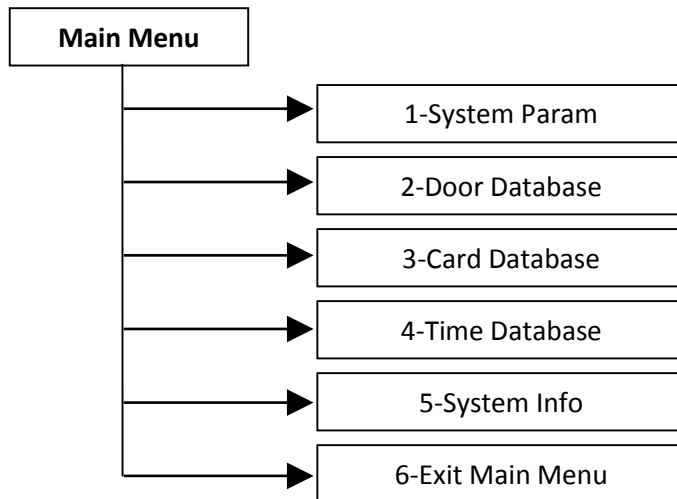
Press [Menu] button followed by flashing card.

3.6: Setting Menu Operation

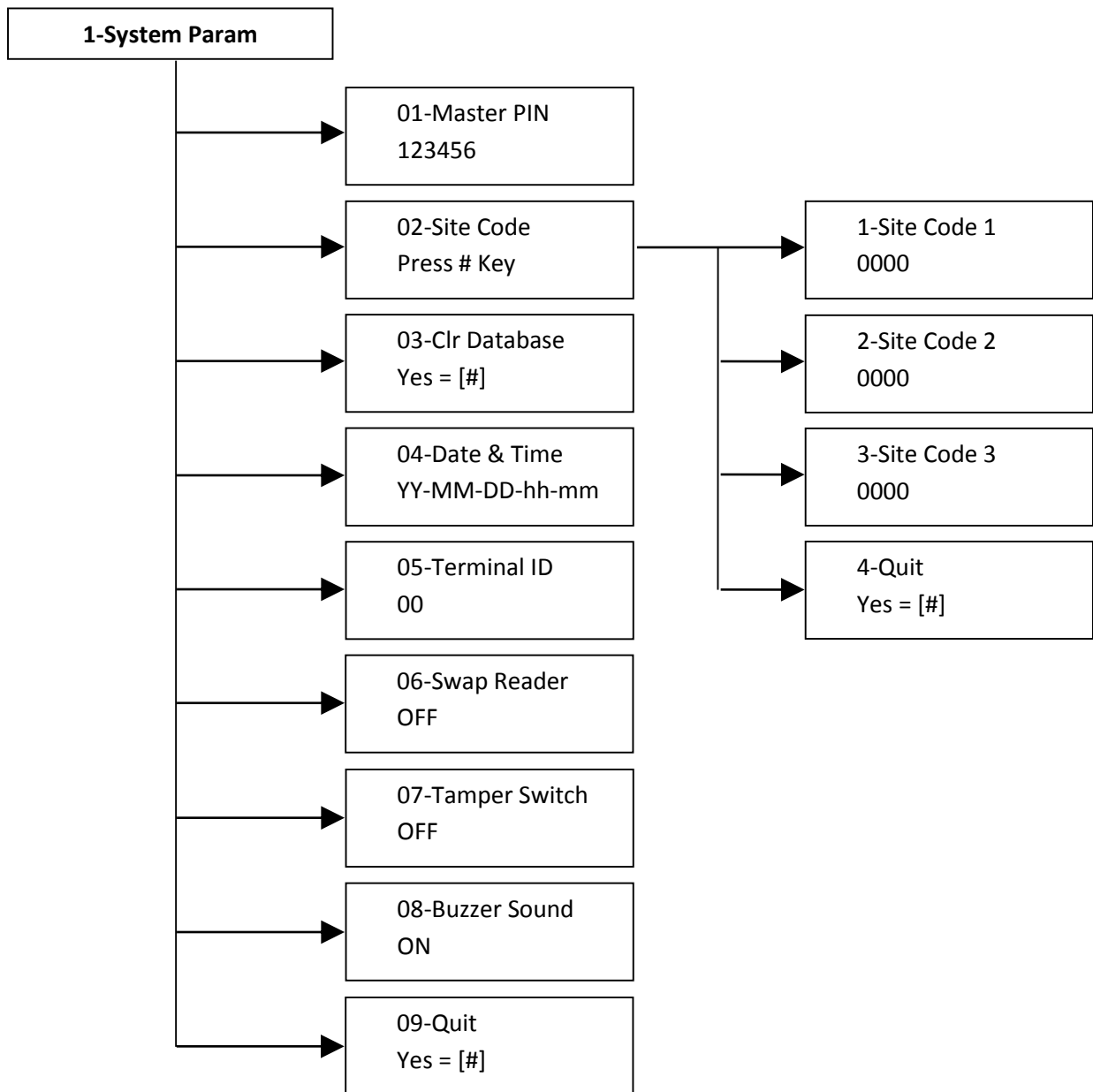
Press [Menu] button followed by the 6-digit Master PIN in order to enter the setting menu:

Setting Menu
[000000]

Chapter 4: Setting Main Menu



4.1: System Parameter



01-Master PIN

- Key in 6-digit Master PIN for setting menu entry.

02-Site Code

- Key in 4-digit Site Code.
- For example, a proximity card is printed with 123,45678:
Site Code: 0123
Card No: 045678
- To grant access, controller validates the site code and the card number.
- Site code is used to prevent access of other card with same card number.
- Support up to 3 Site Codes.

03-Clear Database

- To clear all user databases and reset all settings back to default.

04-Date & Time

- Key in current date and time in YY-MM-DD-hh-mm format.
- For example, 0908071153 for 09 (Year), 08 (Month), 07 (Day), 11 (Hour), 53 (Minute)

05-Terminal ID

- Key in 2-digit Terminal ID (00-15).
- Support up to 4 data lines, each data line with 16 controllers connection.

06-Swap Reader

- Press '0' to turn OFF or '1' to turn ON.
- Turn ON the swap reader when a controller and a proximity reader are installed. The controller will be assigned as EXIT reader and the proximity reader will be assigned as ENTRY reader.

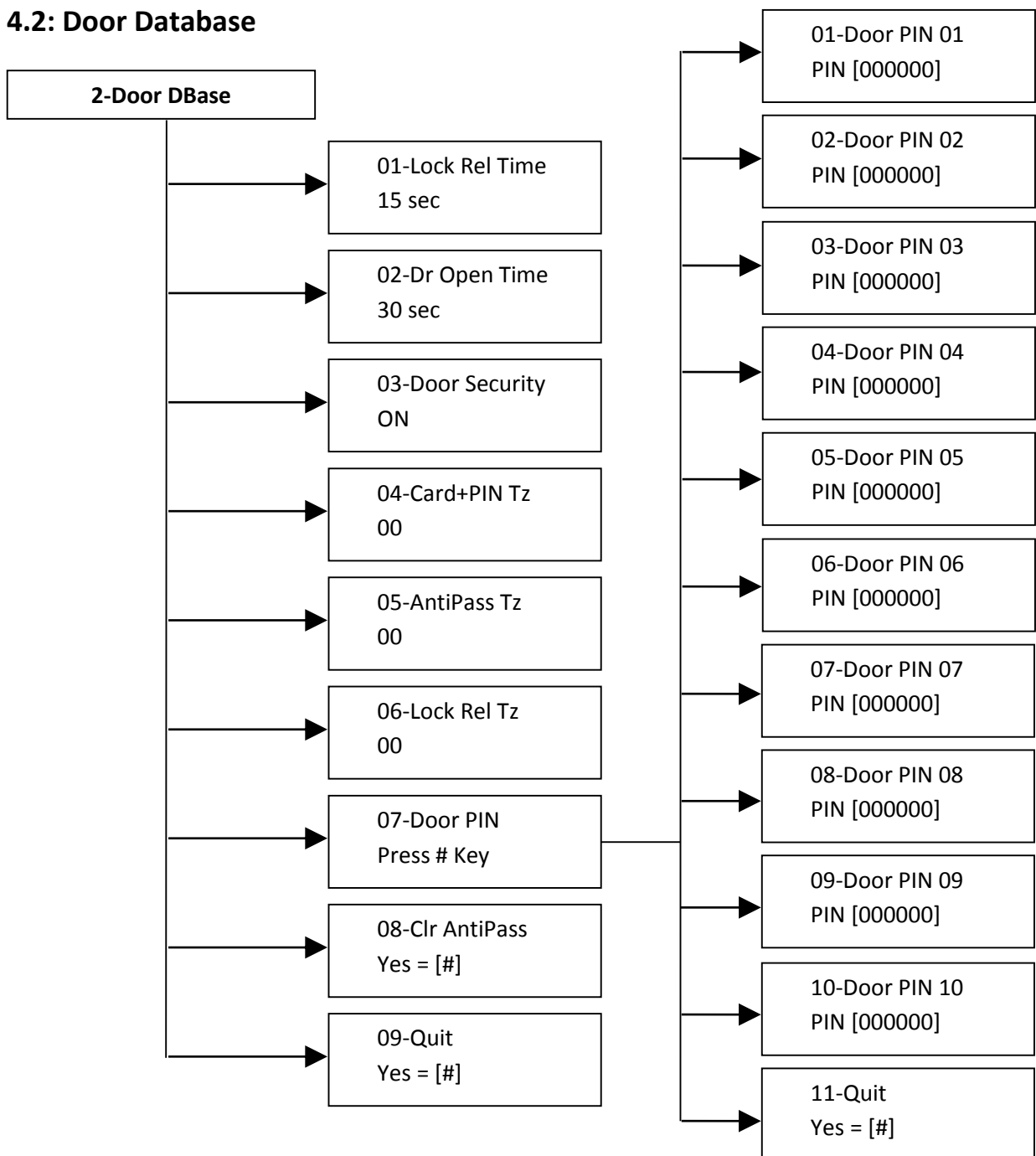
07-Tamper Switch

- If the tamper switch is ON, the buzzer will generate beep sound whenever the controller is open up.

08-Buzzer Sound

- If the buzzer sound is OFF, the buzzer will be muted.

4.2: Door Database



01-Lock Rel Time

- The controller will release the door lock according to the lock release time (00-99 sec) if there is a valid entry.

02-Dr Open Time

- If the door is open more than the door open time (00-99 sec), then the buzzer will generate beep sound.

03-Door Security

- Press '0' to turn OFF or '1' to turn ON.
- The controller will release the door lock if the door security is OFF.

04-Card+PIN Tz

- Key in 2-digit Time Zone number for Card + PIN.
- During this Time Zone, the user is required to flash the card followed by PIN number in order to open the door.

05-AntiPass Tz

- Key in 2-digit Time Zone number for Anti-Passback.
- During this Time Zone, the controller will prevent card user from entering the same area twice.
- To use anti-passback, an entry reader (proximity reader) and an exit reader (controller) are required to install.
- The main purpose of an anti-passback is to prevent a card user from passing his card back to a second person to gain entry into the same door.
- Besides, if a user follows a colleague OUT of the building without presenting his own card, he will not be able to return through IN door.

06-Lock Rel Tz

- Key in 2-digit Time Zone number for Auto Lock Release.
- During this Time Zone, the controller will release the door lock (Door security is OFF).

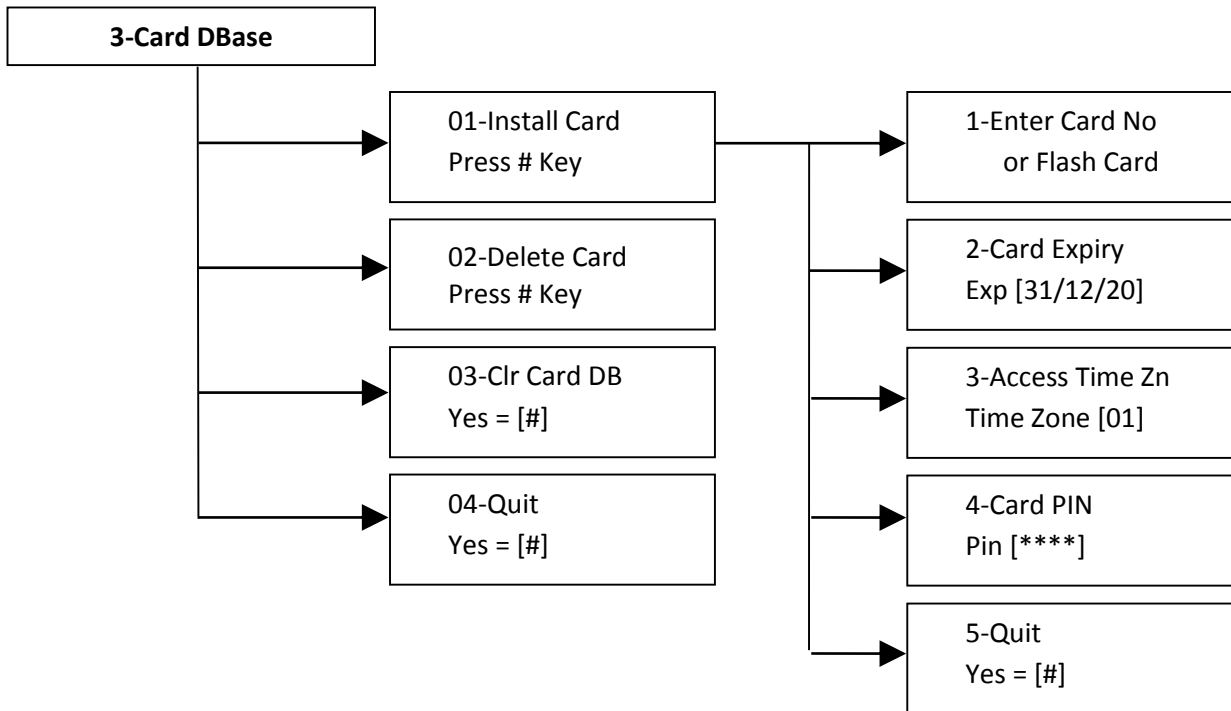
07-Door PIN

- Key in 6-digit door PIN number for door open with PIN entry.
- Support up to 10 door PIN numbers.

08-Clr AntiPass

- To clear all anti-passback violations.

4.3: Card Database



01-Install Card

- 1-Enter Card No or Flash Card: Enter 6-digit card number or flash card.
- 2-Card Expiry: Enter expiry date for the card in DD-MM-YY format.
- 3-Access Time Zn: Enter 2-digit access Time Zone number for the card.
- 4-Card PIN: Enter 4-digit PIN number for the card.

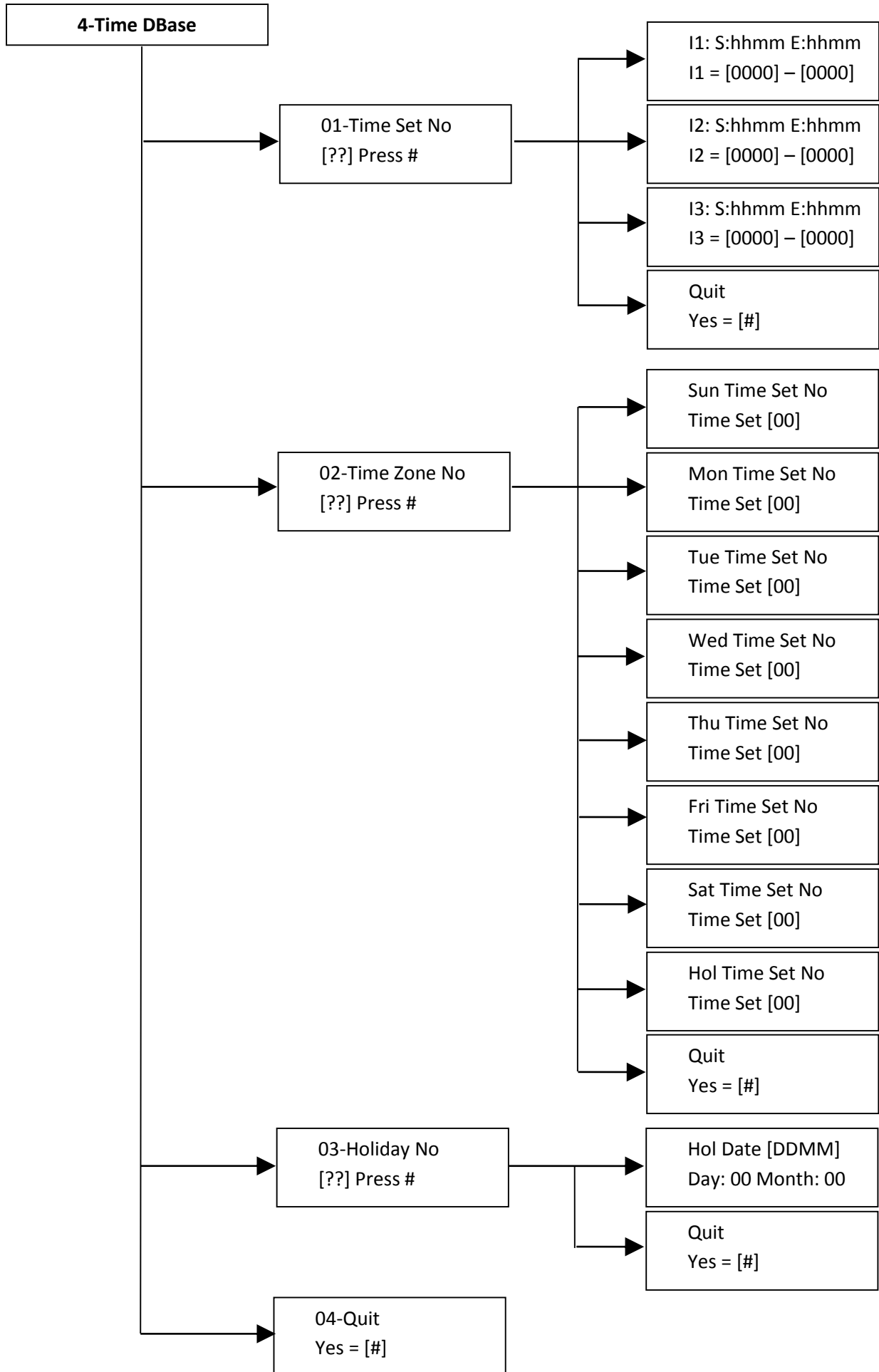
02-Delete Card

- Enter 6-digit card number or flash card for delete.

03-Clr Card DB

- To clear all user databases.

4.4: Time Database



01-Time Set No

- Key in 2-digit Time Set number (00-23).
- Each Time Set supports 3 time intervals (Interval 1-3).
- I1: S:hhmm E:hhmm: Key in time interval 1 in hh-mm format.
- I2: S:hhmm E:hhmm: Key in time interval 2 in hh-mm format.
- I3: S:hhmm E:hhmm: Key in time interval 3 in hh-mm format.

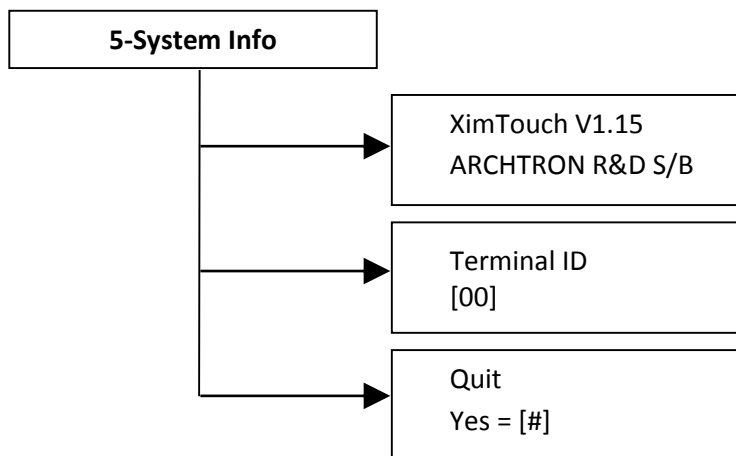
02-Time Zone No

- Key in 2-digit Time Zone number (00-23).
- Sun Time Set No: Key in 2-digit Time Set number for Sunday.
- Mon Time Set No: Key in 2-digit Time Set number for Monday.
- Tue Time Set No: Key in 2-digit Time Set number for Tuesday.
- Wed Time Set No: Key in 2-digit Time Set number for Wednesday.
- Thu Time Set No: Key in 2-digit Time Set number for Thursday.
- Fri Time Set No: Key in 2-digit Time Set number for Friday.
- Sat Time Set No: Key in 2-digit Time Set number for Saturday.
- Hol Time Set No: Key in 2-digit Time Set number for Holiday.

03-Holiday No

- Key in 2-digit holiday number (01-60).
- Hol Date [DDMM]: Key in holiday date in DD-MM format.

4.5: System Info



4.6: Exit Main Menu

To exit Setting Main Menu.
You can also press [Esc] button to exit.