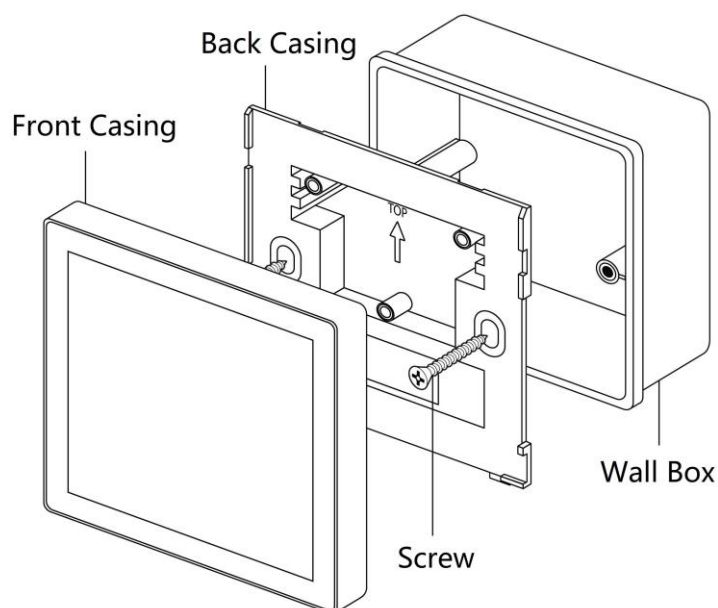


## **Bluguard PRO 4 2.0 Touch Keypad Manual**

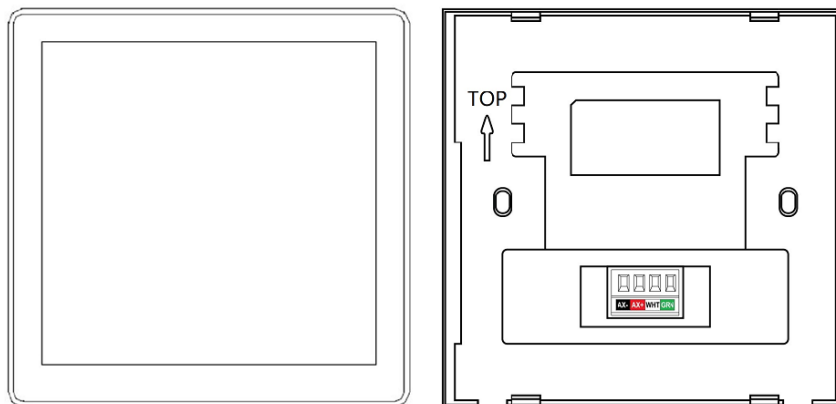
Bluguard PRO 4 2.0 Touch Keypad is a capacitive touch screen panel with 4-inch TFT LCD display to provide you a comfortable user experience. By installing it in the wall box, user can control and monitor alarm and home automation system through the touch screen user interface. It also enables user to check or change programming settings easily. Bluguard PRO 4 2.0 Touch Keypad is compatible with model as below:

- For T64 model: Bluguard T64 PRO 4 2.0 Touch Keypad
- For V16 Plus model: Bluguard V16 PRO 4 2.0 Touch Keypad
- For T16 Plus model: Bluguard T16 PRO 4 2.0 Touch Keypad
- For L9/V9 Plus model: Bluguard 9-zone PRO 4 2.0 Touch Keypad



### **Installation Instructions**

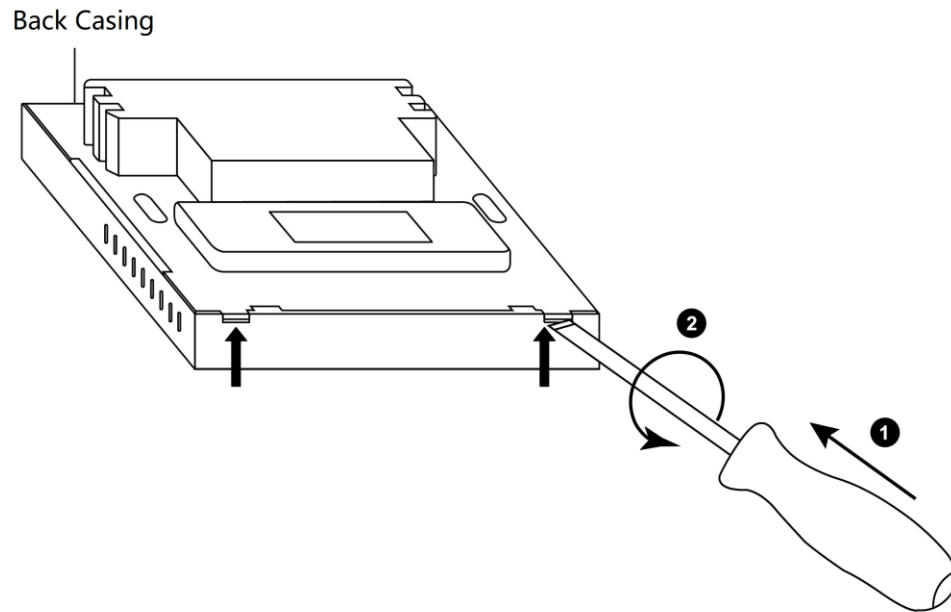
1. Connect 4 wires (AX+/AX-/GRN/WHT) from green connector at the back of PRO 4 2.0 Touch Keypad to control panel as below:



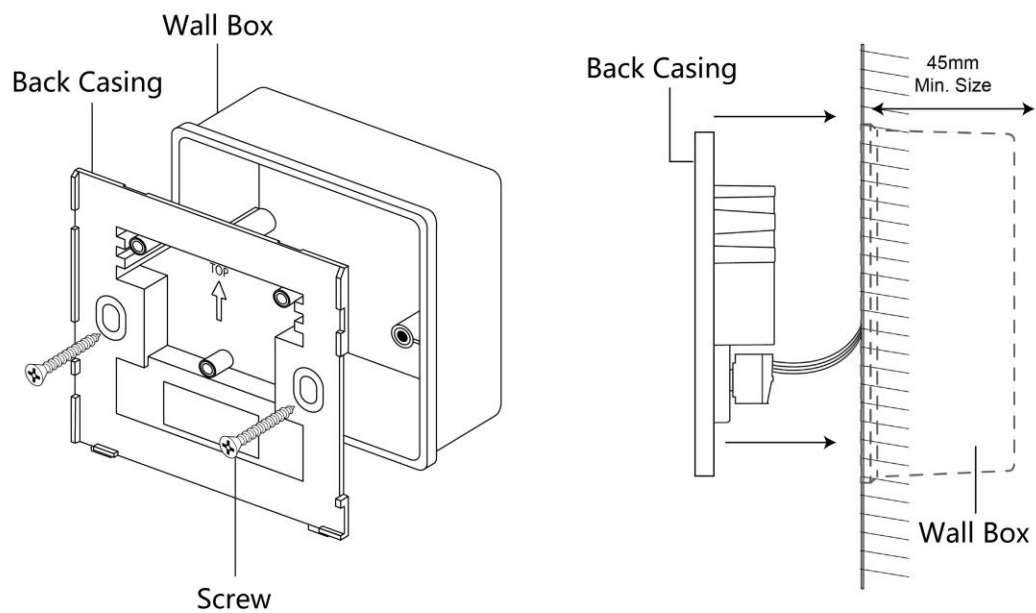
Front View

Back View

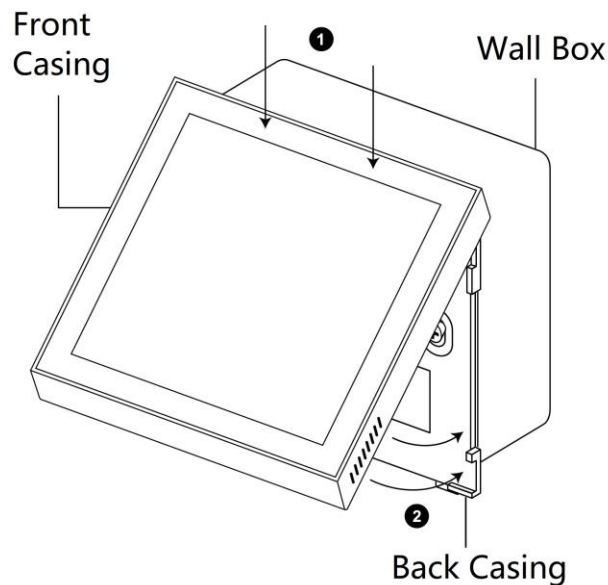
2. Remove the back casing of Bluguard PRO 4 2.0 Touch Keypad from front casing as below:



3. Install the back casing to the wall box and then fasten the back casing to the wall box with 2 mounting screws as below:









4. Connect green connector to the back of front casing. Fix the front casing to the back casing as below:



5. Activate **Bluguard PRO 4 2.0 Touch Keypad ID** (Same as APP ID) Setting:
- a) **With Keypad installed:**
    - For T64 model: Turn ON Number 20 at **[ID Setting]** in Installer Programming Mode by Keypad
    - For V16 Plus/T16 Plus model: Turn ON Number 11 at location **[47]** or **[ID Setting]** in Installer Programming Mode by Keypad
    - For L9/V9 Plus model: Turn ON Number 8 at location **[20]** in Installer Programming Mode by Keypad
  - b) **Without Keypad installed:**  
Press the Red LED at lower left corner of Dashboard page at Bluguard PRO 4 2.0 Touch Keypad. Then turn ON APP ID at **[ID Setting]** in Installer Programming Mode.

The Green LED at lower left corner of Dashboard page at Bluguard PRO 4 2.0 Touch Keypad will be blinking. You may start to test Bluguard PRO 4 2.0 Touch Keypad now.

## Operation

Button	Function
	Press for Away Arm or Disarm
	Press for Night Arm or Disarm
 Panic	Press for Panic Alarm
 Siren	To Display Siren ON/OFF Status Press for Siren Test
 Trouble	To Indicate System is in Trouble Condition Press to View System Trouble
 Memory	To Indicate Alarm Triggered Press to View Event Log

## Product Specifications

Display Mode	4-inch TFT LCD
Display Color	65K
Brightness	320 cd/m <sup>2</sup>
Active Area	71.9 x 70.2 mm
Touch Panel Type	Capacitive Touch Panel
Screen Resolution	480 x 480
Input Voltage	8 to 24 Vdc
Current Consumption	150 mA
Working Temperature	-20°C to +70°C
Communication Interface	RS485
Connection to Control Panel	4 wires
Dimensions	86.0 x 86.0 x 27.3 mm

## Packing List

- PRO 4 2.0 Touch Keypad x1
- Mounting Screw x2
- Mini Screw Driver x1
- Manual x1
- Wall Box x1