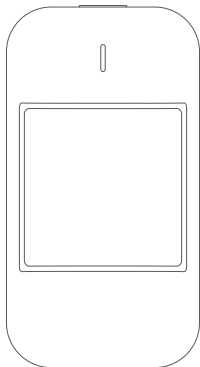




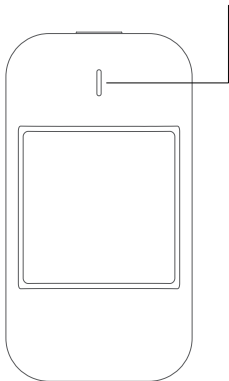
— PIR Sensor —



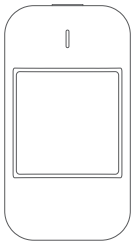
Quick Start Guide

Appearance

Indicator / Register button



Packaging List



PIR Sensor x1



Cardan shaftx1



Mounting screw x2



Mounting
bracket x1



Plastic expansion
tube x2



3M adhesive
strip x2



QSG x1

Download App :

- 1 Open your smartphone camera.
- 2 Scan the QR code below.
- 3 Tap the link that appears.
- 4 Download and install the Ximple W2 Plus app.

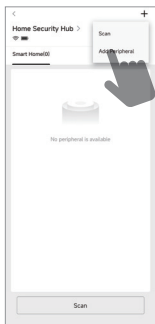


Ximple W2 Plus





Add PIR Sensor

- ① Click Home Security Hub , then click "+" and select "Add peripheral" .
- ② Pull out the insulation strip to power up the device , the green indicator will flash and the device will show in the App.
** Note: If the device does not show in the App and green indicator is off , please press and hold the register button for 5s to try again.*
- ③ Assign a room and click the "Done" to finish adding.



Testing Instruction

Signal Strength Test

Click "  " → "Signal Strength Test" → "  " to check signal strength.

It is not advisable
to install here.



It is suitable
to install here.



It is suitable
to install here.

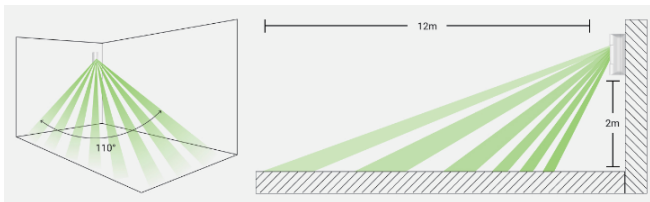


Testing Instruction

Installation test

Click the " ⚙️ " → "Installation test" to start testing.

**Note: You can walk around to trigger the PIR, if indicator flashes RED, that means it is working properly.*



Installation Instruction



Stay away from areas with sudden temperature



Avoid being obscured



Keep away from heat sources

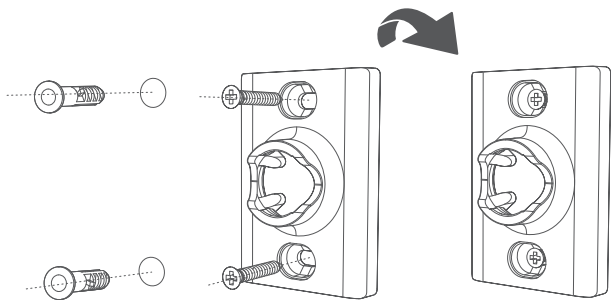


Keep away from taller pets

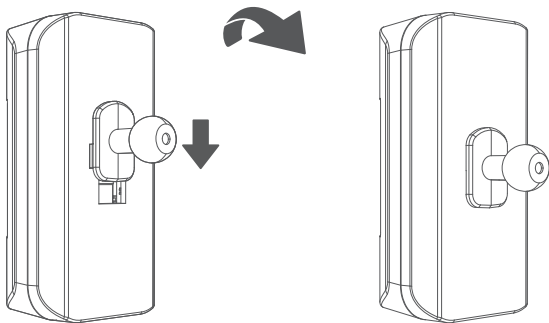


Installation Instruction

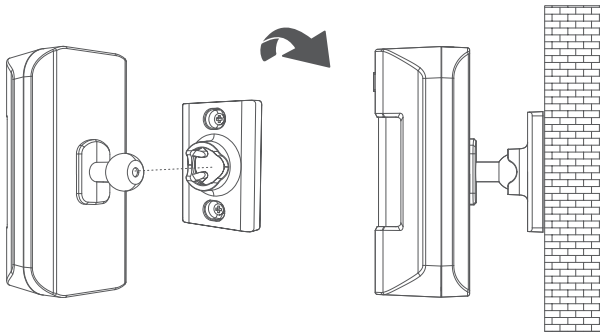
1 Mount on the wall by bracket



Installation Instruction

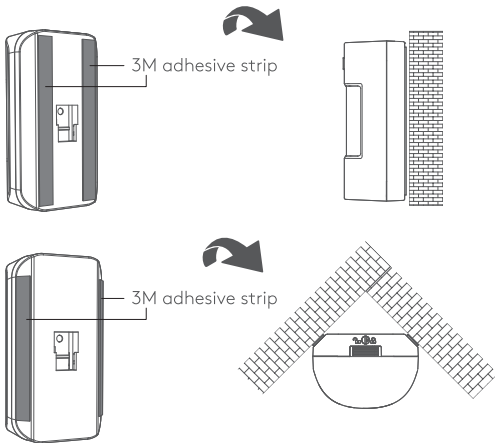


Installation Instruction



Installation Instruction

2 Mount on the wall by 3M adhesive strip



** Note: This installation method does not support tamper detection.*

Device specifications

Detection Performance	
Detection Method	Passive Infrared
Detection Performance	12m,110°
Pet Immunity	10kg
White Light Filter	2000lux
Feature	
Advanced Features	Digital Processing,Digital Temperature Compensation, Signal Strength detection,Find me,Dynamic Threshold
Tamper Protection	Rear (Triggered when cardan shaft is removed from the PIR sensor)
Wireless Transmission	
Transmission Frequency	921MHz
Transmission Range(Open Space)	3100m
Advanced Tech	AES-128 Encryption,FHSS,TDMA
Electrical Characteristics	
Power Supply	CR123A × 1,Up to 2 years (standby mode)
General	
Operation Temperature	-10°C to 55°C (14 °F to 131 °F)
Dimension (WxHxD)	114.7mm×61.2mm×43.8mm
Weight	102g
Mounting Height	1.8 m to 2.4 m
Application Scenario	Indoor

Powered by ***bluguard***[®]

 www.bluguard.com.my